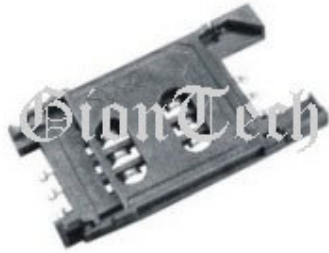


**SIM Card, 6 Pin, Pedal Lift Type (H=2.5mm):**

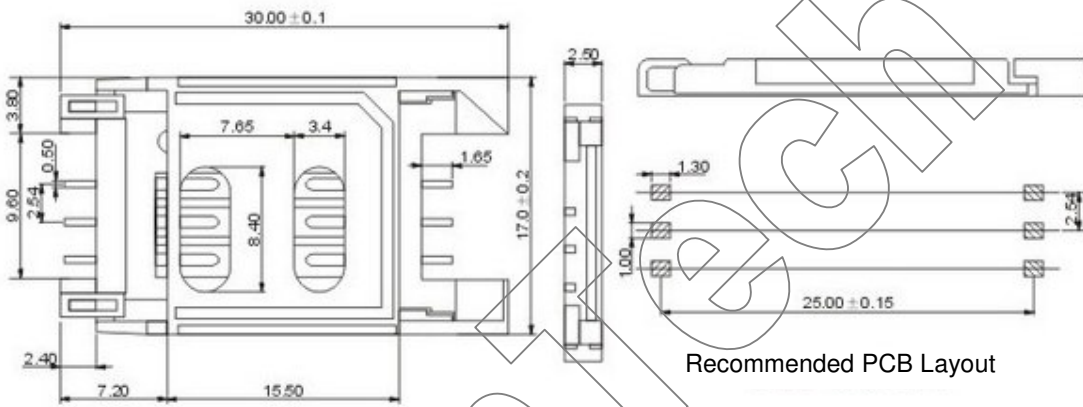


**SPECIFICATIONS**

|                          |                       |
|--------------------------|-----------------------|
| Current Rating:          | 0.5A, AC, DC          |
| Voltage Rating:          | 50V, AC, DC           |
| Operating Temperature:   | -40°C ~+90°C          |
| Relative Humidity:       | 93%, +40°C            |
| Dielectric Withstanding: | 500V AC/minute        |
| Contact Resistance:      | ≤ 40 mΩ/Contact       |
| Insulator Resistance:    | ≥ 1000 MΩ at 100V     |
| Material:                |                       |
| Shell:                   | Stainless Steel       |
| Insulator:               | Nylon6T/ LCP, UL94V-0 |
| Contact Pin:             | Phosphor Bronze       |

**ROHS Compliance**

**SIM2.54-6P-PL (H=2.5)**



Recommended PCB Layout